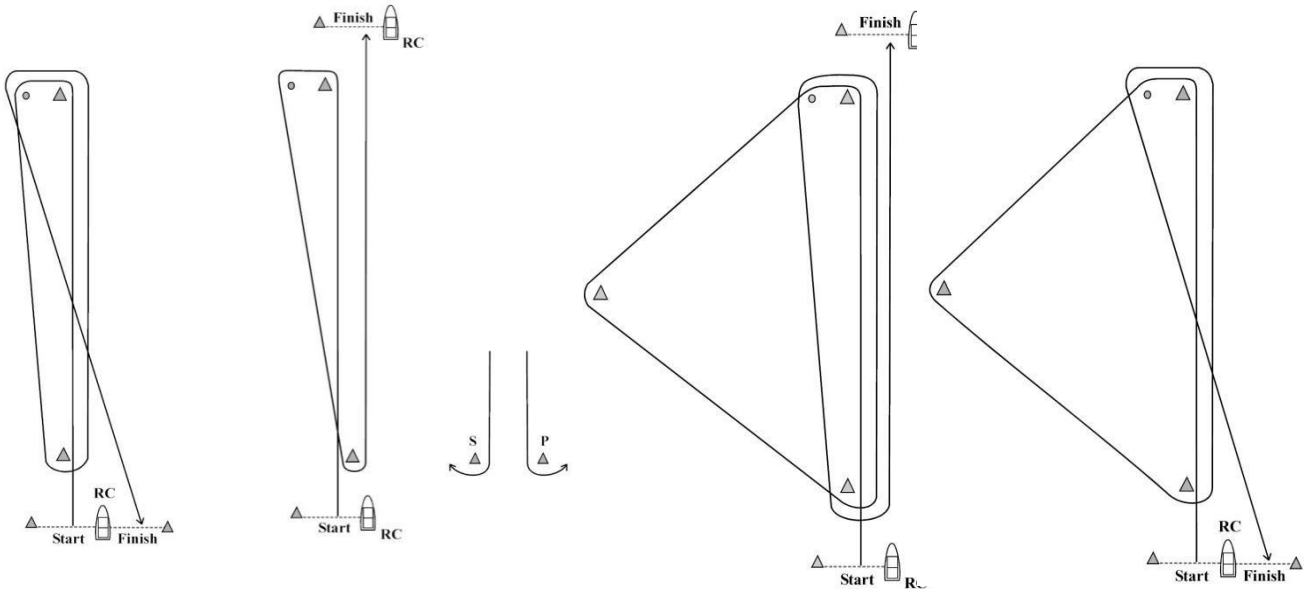


Amendment # 2

8/6/2016

C1 COURSES FOR DROP MARK RACES

C1.1 Course Diagrams



Course "W"
Even # legs

Course "W"
Odd # legs

**Gate
Marks**

Course "O"

Course "K"

C1.9 Long Windward Mark:

- a) For course "W" the Race Committee may set a long windward mark and a short windward mark.

C4.1 The finishing line will be between a staff displaying a blue flag on a Race Committee Boat and the finishing mark.

- a) For Course "W", with an odd number of legs, and Course "O", the finish line will be located approximately 0.1 NM to windward of the windward mark, if there are two windward marks the finish line will be located approximately 0.1nm to windward of the short windward mark.